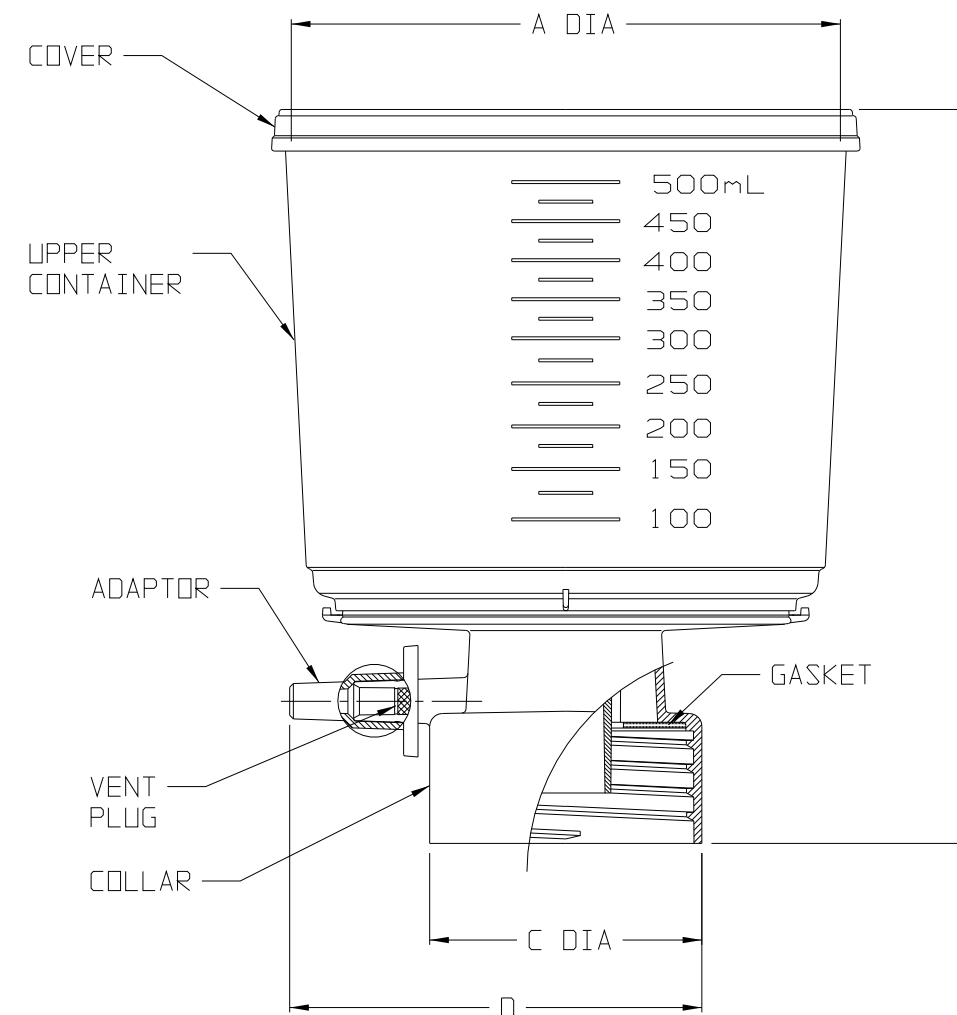


CAT. NO.....:	595-3320		595-4520	
PORE SIZE (µm).....:	0.20		0.20	
UPPER CAP. (mL).....:	500		500	
BOTTLE NECK SIZE.....:	33mm		45mm	
MEMBRANE COLOR.....:	WHITE		WHITE	
MEMBRANE DIA (mm).....:	75		75	
	INCHES	MM	INCHES	MM
A (UPPER I.D.).....:	3.8	96	3.8	96
B HEIGHT.....:	5.0	127	5.1	130
C DIA (BASE).....:	1.4	36	1.9	48
D DIM.....:	2.5	64	3.0	76
NOM. WT. (gms).....:	70		72	

MATERIALS	
UPPER CONTAINER	PS
COVER	PS
COLLAR	BLUE PS
ADAPTOR	WHITE LDPE
GASKET	FOAMED LDPE
MEMBRANE	PES
VENT PLUG	CA



SPECS ON BACK

NOT TO SCALE

NOTES:

1. ALL DIMENSIONS ARE NOMINAL AND IN INCHES AND MILLIMETERS UNLESS OTHERWISE NOTED.
2. THIS IS NOT A PRODUCTION DRAWING, BUT IS FOR INFORMATIONAL PURPOSES ONLY, AND IS SUBJECT TO CHANGE WITHOUT NOTICE.

CONFIDENTIAL

THIS PRODUCT SPECIFICATION SHEET CONTAINS CONFIDENTIAL AND/OR PROPRIETARY INFORMATION AND IS TO BE USED ONLY FOR THE EXPRESSED PURPOSES AGREED UPON BY AN AUTHORIZED OFFICER OF THERMO FISHER SCIENTIFIC.

**ThermoFisher**  
SCIENTIFIC

Thermo Fisher Scientific  
75 Panorama Creek Drive  
Rochester, NY 14625-2385, USA

MADE	PB	APP'D	GRP	PSS 00-0595-XX20	REV.
CK'D	KDW	6/26/13			0613
DESCRIPTION: BOTTLE TOP FILTERS					



# WolfLabs

**Pricing on any accessories shown can be found by keying the part number into the search box on our website.**

The specifications listed in this brochure are subject to change by the manufacturer and therefore cannot be guaranteed to be correct. If there are aspects of the specification that must be guaranteed, please provide these to our sales team so that details can be confirmed.

**[www.wolflabs.co.uk](http://www.wolflabs.co.uk)**

**Tel : 01759 301142**

**Fax : 01759 301143**

**[sales@wolflabs.co.uk](mailto:sales@wolflabs.co.uk)**

Please contact us if this literature doesn't answer all your questions.